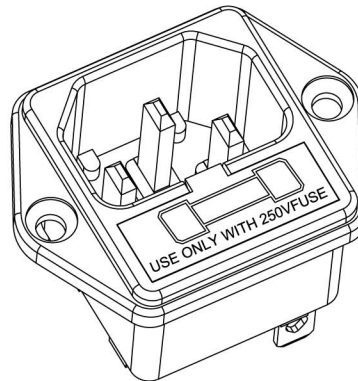
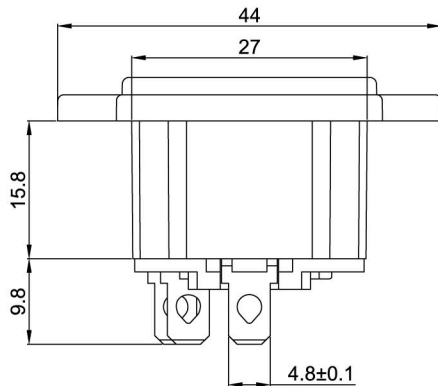
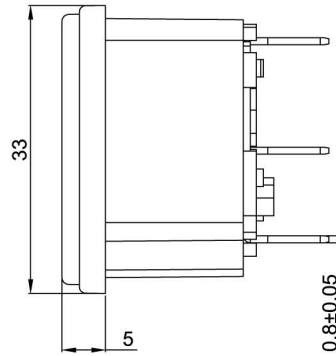
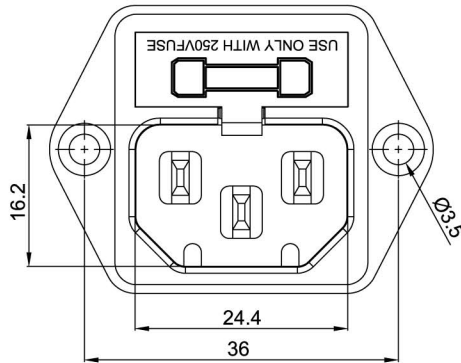



S-03F



Rating: 10A 250VAC(ENEC K-MARK)
 10A 250VAC(CCC)
 10A 250VAC(UL / CUL)

Contact Resistance: 20mΩ Max
 Insulation Resistance:DC 500V 100MΩ Min
 Dielectric Strength:AC 2000V1minute
 Fuse:Ø5.0x20mm 
 Operating Temperature: -25°C ~ +85°C

MATERIAL:

Base: PBT+GF;

Cap: PA66 ;

Terminal:Copper alloy,silver plated;

PANEL CUTOUT

